

Step 4: To remove bills from the stacker/magazine (See Figure 6), remove the padlock and hinge the the hasps open to gain access to the side or top doors. Removal of the hasp **is not required** to remove money from the bill acceptor. The locking hasps can be removed from the bill acceptor by pushing the hasps forward as shown in Figure 6.

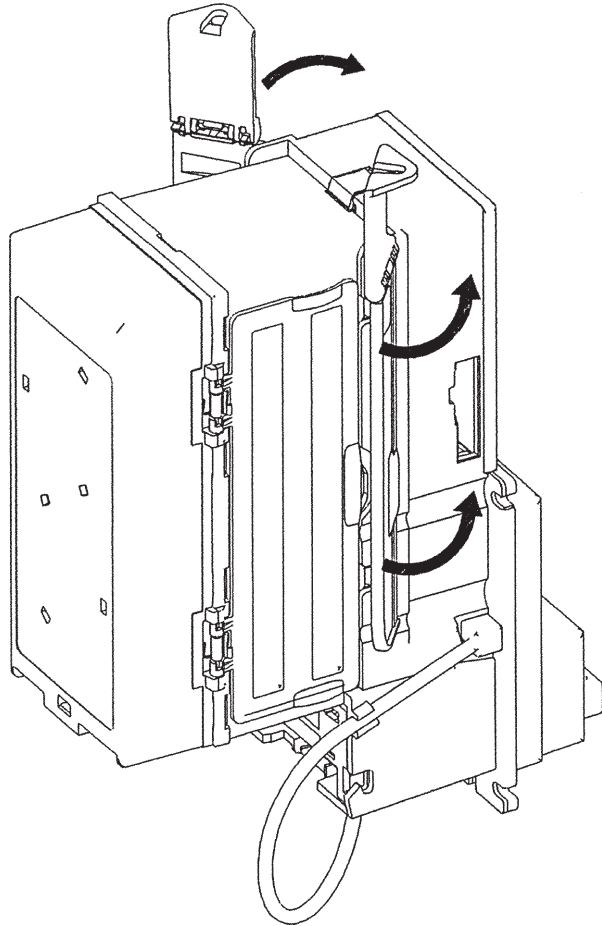
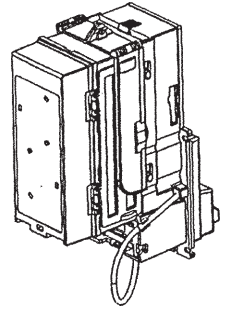


Figure 6



Locking Hasp Kit P/N 250066027 Installation Guide

This document contains information for installing an MEI Locking Hasp Kit to a Series 2000 Bill Acceptor. The Locking Hasp Kit enables an operator to install a lock to deter unauthorized removal of bills.

Important note: Units manufactured prior to week 12 of 1997 will require replacement of the magazine for the kit to be installed.

Components of the Locking Hasp Kit:

<u>Item</u>	<u>Qty in Kit</u>
Installation Guide	1
Top Flap-Locking Hasp	2
Locking Hasp Left Side	1
Locking Hasp Right Side	1
Hinge Pin-Locking Hasp	2

Locking Hasp Kits can only be used with magazines that have the locking hasp hinge feature (See Figure 1).

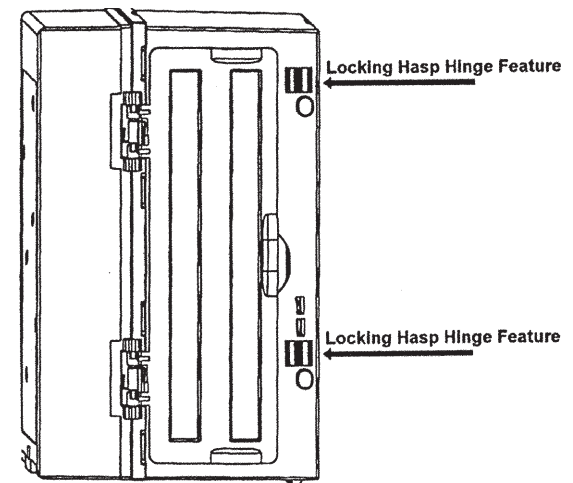


Figure 1

MEI
1301 Wilson Drive
West Chester, PA 19380
Technical Support 1(800)345-8172
Customer Service 1(800)345-8215
<http://www.meigroup.com>



Order using the part numbers listed below, if your magazine does not have the locking hasp hinge feature (Shown in Figure 1).

- 200 Bill Magazine, P/N 250063015
- 300 Bill Magazine, P/N 250061016
- 500 Bill Magazine, P/N 250069017
- 700 Bill Magazine, P/N 250068021

Installation Procedure

Note: The magazine must be installed on the bill acceptor before the locking hasp kit can be installed. Installation is the same for both side and top door style magazines.

Step 1: Insert the left and right hasp into the openings located on the side of the bill acceptor magazine (See Figure 2). Insert in slots, with the locking hasps in an open position (See Figure 3). Push the hasp into the opening until the hasps snap into place.

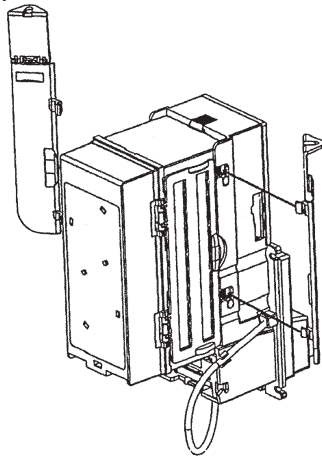


Figure 2

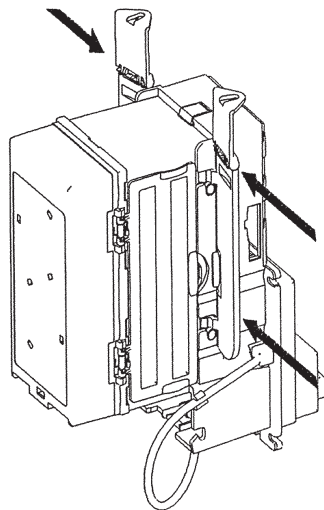


Figure 3

Step 2: Rotate the hasps inward toward the magazine then close the top of the hasps so that they are positioned on the top of the magazine (See Figure 4).

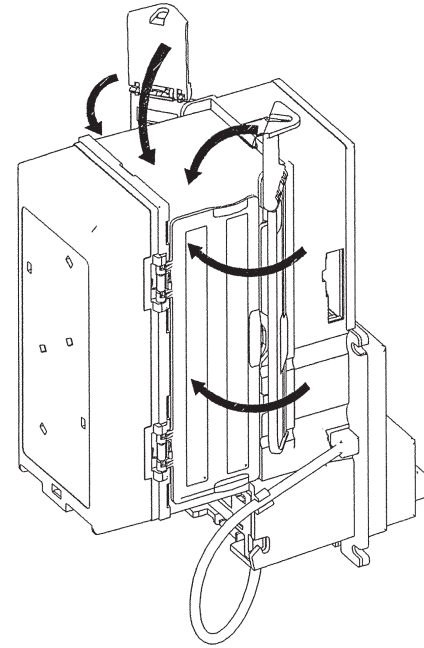


Figure 4

Step 3: Secure the hasp using a lock with a maximum shackle diameter of 0.20 inches. A lock is not included in the kit.

Note: Using a padlock with a small loop size will enhance the security of the hasp kit.

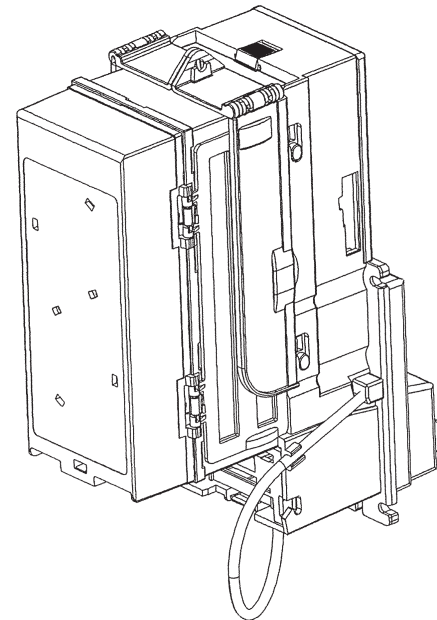


Figure 5